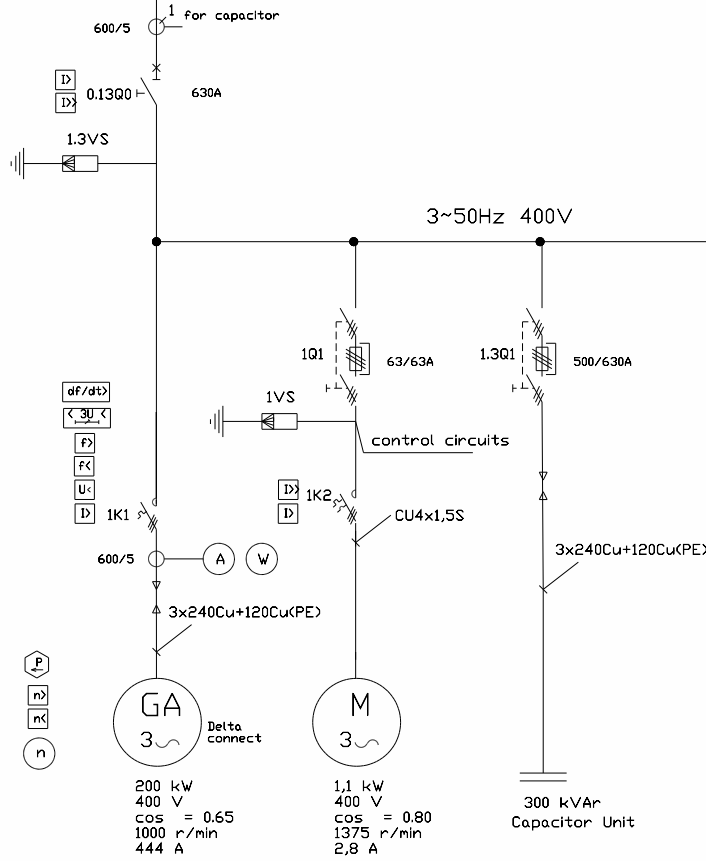
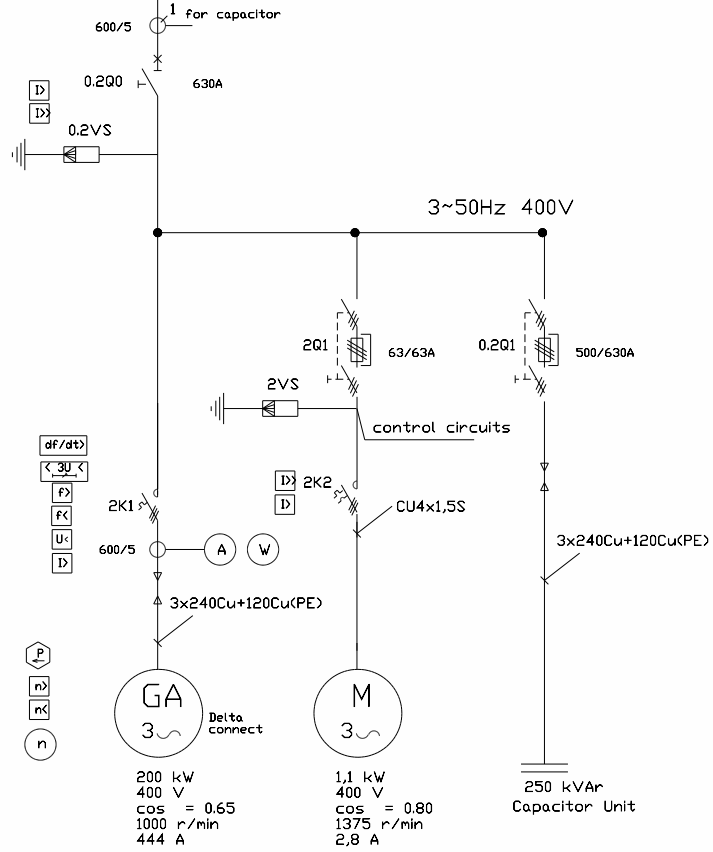
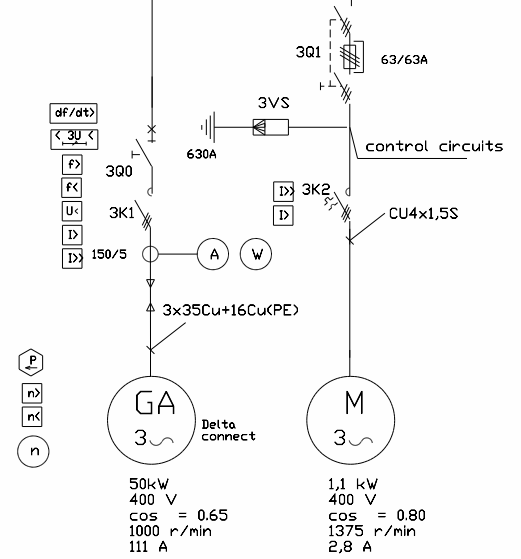


DELIVERY LIMIT



OPTION



Copyright (C) Power Factor 1968-2002 All Rights Reserved

Target WIDRY-SCH-ZAS-2b HPP	Change date	Modifier	Date	14.10.2004	File name	MainDiagram95.dwg	Title	HYDRO POWER PLANT	Drawing number	0
Manufac. WATER PUMPS WP DY	A		Designer	Tuomo Lindh	POWER FACTOR	MAIN DIAGRAM			Page	1
EL design Power Factor Ay	B		Inspector						Pages	3
	C		Acceptor							